

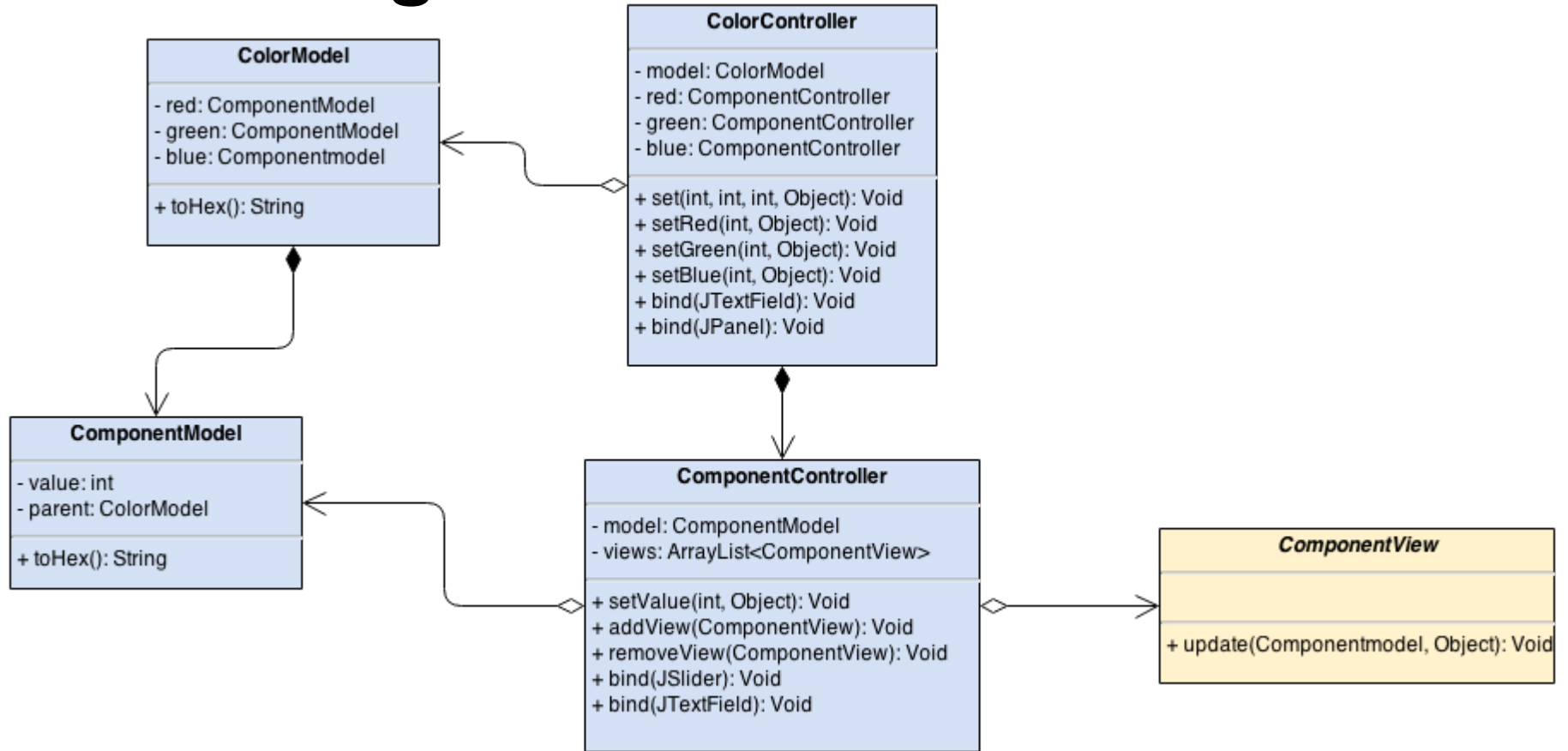
Exercice 2

ColorChooser

Cedric Fleury (M1 HCID)
cfleury@lri.fr

Arnaud Prouzeau (M1 Info)
prouzeau@lri.fr

UML Diagram



ComponentController

Bind method :

- Create and add the view to the views ArrayList

```
this.addView(new ComponentView() {
    JSlider that = slider;
    @Override
    public void update(ComponentModel model, Object caller) {
    }
});
```

- Add the ActionListener to the component

```
slider.addChangeListener(new ChangeListener() {
    JSlider that = slider;
    @Override
    public void stateChanged(ChangeEvent event) {
    }
});
```

ColorController

Bind Method :

- Create and Add the view to each ComponentController.
- Add the ActionListener to the component. it uses the 3 componentController to change the value in the models.

ComponentModel

toHex Method:

```
public String toHex(Integer minLength) {
    String hex = Integer.toHexString(getValue());
    while (hex.length() < minLength) {
        hex = "0" + hex;
    }
    return hex;
}
```